



www.pumps.com.tw

GD/GDH series

Submersible Sewage Grinder Pumps Stainless Steel Motor Housing

Liquid temperature: 0 °C to 40 °C / +32 °F to +104 °F
HP range: 1.5 to 3 HP / 1125 W to 2200 W
pH: 6 to 8
Protection class: IP68
Maximum immersion depth: 8M



Black Water
Transfer



Farm Dirty Water
Transfer



Waste Water
Irrigation

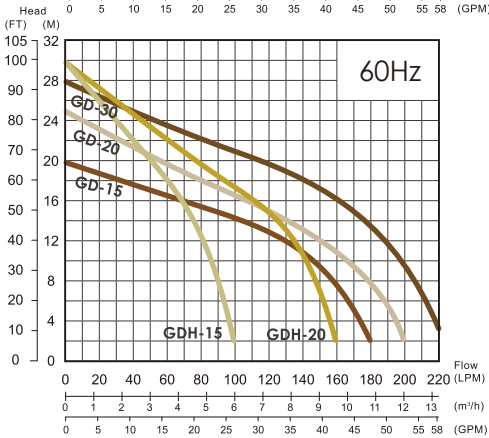
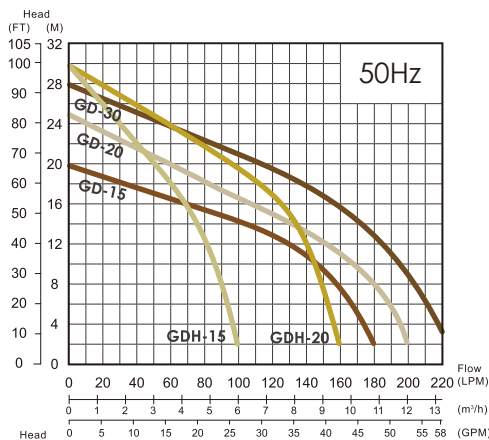
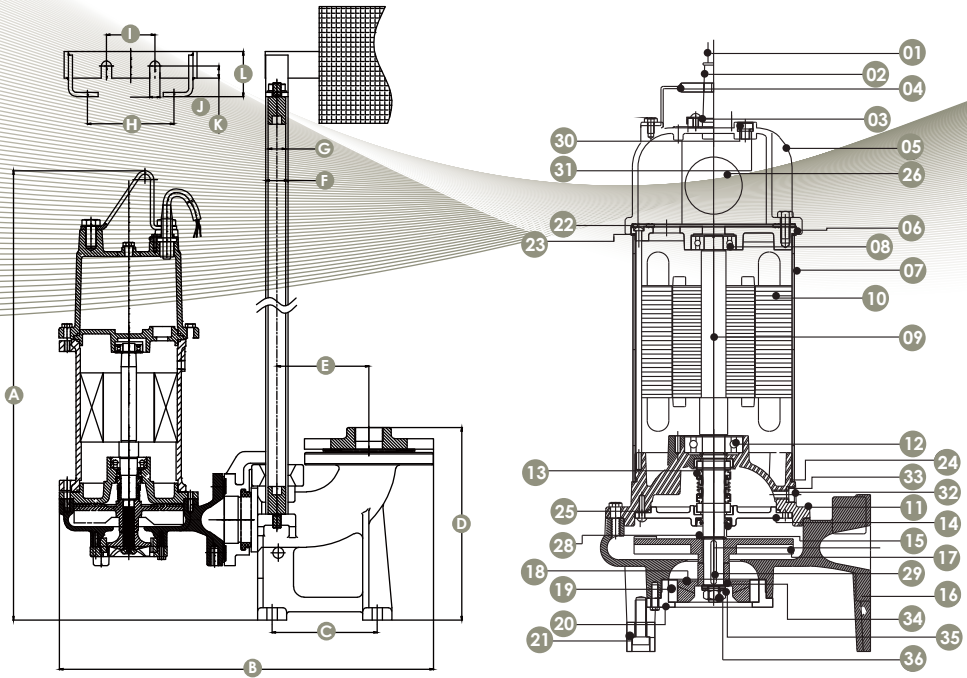


HUNG PUMP GROUP

Grinder Pumps

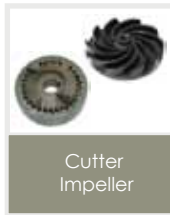
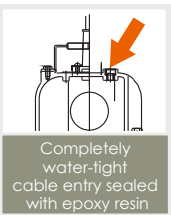


www.pumps.com.tw



| Model | Dimension | | | | | | | | | | | |
|--------|-----------|-----|-----|-----|-----|----|------|-----|----|----|------|----|
| | A | B | C | D | E | F | G | H | I | J | K | L |
| GD-15 | 572 | 275 | 263 | 275 | 133 | 32 | 25.4 | 125 | 70 | 15 | 17.5 | 65 |
| GD-20 | 597 | 275 | 263 | 275 | 133 | 32 | 25.4 | 125 | 70 | 15 | 17.5 | 65 |
| GD-30 | 596 | 280 | 263 | 275 | 133 | 32 | 25.4 | 125 | 70 | 15 | 17.5 | 65 |
| GDH-15 | 572 | 275 | 263 | 275 | 133 | 32 | 25.4 | 125 | 70 | 15 | 17.5 | 65 |
| GDH-20 | 572 | 574 | 279 | 275 | 133 | 32 | 25.4 | 125 | 70 | 15 | 17.5 | 65 |

| Construction | | | | | | | | |
|--------------|---------------|---------------|-----|-------------------|---------------|-----|----------------|-------------|
| No. | Description | SS Material | No. | Description | SS Material | No. | Description | SS Material |
| 1 | Power Cord | AWG/H07RNF | 13 | Double Mech. Seal | CA/CE+SIC/SIC | 25 | O-ring | NBR |
| 2 | Rubber Head | NBR | 14 | Seal Cover | FC 200 | 26 | Capacitor | PP |
| 3 | Gland | SUS | 15 | Oil Seal | NBR | 27 | Retaining Ring | SUS |
| 4 | Handle | SUS304 | 16 | Pump Casing | FC 200 | 28 | Retaining Ring | SUS |
| 5 | Top Cover | FC 200 | 17 | Impeller | FC 200 | 29 | Key | SUS |
| 6 | Bearing Cover | FC 200 | 18 | Cutter | Chrome Steel | 30 | Screw | SUS |
| 7 | Motor Housing | SUS304 | 19 | Cutter Ring | Chrome Steel | 31 | Packing | NBR |
| 8 | Upper Bearing | CNM 5K | 20 | Cutter Seat | FC 200 | 32 | Screw | SUS |
| 9 | Shaft | SUS410 | 21 | Base | PC | 33 | Packing | NBR |
| 10 | Stator | Silicon Steel | 22 | Gasket | NBR | 34 | Washer | SUS |
| 11 | Seal Plate | FC 200 | 23 | O-ring | NBR | 35 | Spring Washer | SUS |
| 12 | Lower Bearing | CNM 5K | 24 | O-ring | NBR | 36 | Nut | SUS |



Specification

| Hz | Model No. | Power | | Outlet | | Max Flow (LPM) | LPM Flow @ Head | | | | | Max Head (M) | Dimension L x W x H (mm) | Weight Kg |
|----|-----------|-------|-----|--------|--------|----------------|-----------------|-----|-----|-----|-----|--------------|--------------------------|-----------|
| | | HP | kW | mm | inch | | 5M | 10M | 15M | 20M | 25M | | | |
| 50 | GD-15 | 1.5 | 1 | 32 | 1 1/4" | 180 | 170 | 150 | 80 | - | - | 20 | 237 x 198 x 520 | 30 |
| | GD-20 | 2 | 1.5 | | | 200 | 190 | 170 | 120 | 50 | - | 25 | 237 x 198 x 540 | 32 |
| | GD-30 | 3 | 2.2 | | | 230 | 210 | 190 | 170 | 110 | 40 | 28 | 237 x 198 x 540 | 35 |
| | GDH-15 | 1.5 | 1 | 32 | 1 1/4" | 100 | 95 | 85 | 70 | 50 | 20 | 30 | 246 x 172 x 539 | 30 |
| | GDH-20 | 2 | 1.5 | | | 160 | 155 | 145 | 125 | 100 | 40 | 30 | 250 x 194 x 541 | 32 |
| 60 | GD-15 | 1.5 | 1 | 32 | 1 1/4" | 180 | 170 | 150 | 80 | - | - | 20 | 237 x 198 x 520 | 30 |
| | GD-20 | 2 | 1.5 | | | 200 | 190 | 155 | 110 | 45 | - | 25 | 237 x 198 x 540 | 32 |
| | GD-30 | 3 | 2.2 | | | 230 | 215 | 195 | 170 | 110 | 40 | 28 | 237 x 198 x 540 | 35 |
| | GDH-15 | 1.5 | 1 | 32 | 1 1/4" | 100 | 95 | 85 | 70 | 40 | 20 | 30 | 246 x 172 x 539 | 30 |
| | GDH-20 | 2 | 1.5 | | | 160 | 155 | 145 | 120 | 75 | 35 | 30 | 250 x 194 x 541 | 32 |

HUNG PUMP GROUP

TEL : (886)3-371-3969 FAX : (886)3-371-3996
 E-MAIL : info@pumps.com.tw
 16 Lien-Ming Street, Ba-De City 334, Taoyuan, Taiwan