

SWO-220/320/420

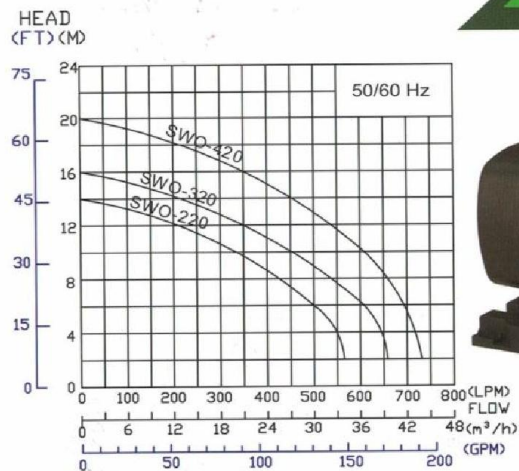
Open Impeller Centrifugal Pumps

SWO-220/320/420

Open Impeller Centrifugal Pumps

FOR: VIETNAM, TAIWAN

Đường cong / Curve



- Liquid temperature: 0~70°C / 32~158°F
- HP range: 2~4 HP / 1.5~3KW
- PH value: 6~8
- Rated speed: 2900 / 3450rpm
- IP class: IP55
- Max. suction: 2M

Tính năng / Features

All stainless steel design, do not produce rust water
 Stainless steel open impeller
 Resistant to weak acids and alkali liquid

Ứng dụng / Applications

Containing suspended solids environmental applications
 Circulating cleaning system
 Weak acid and alkali liquids pumping applications
 Pool system
 Filter systems
 Agricultural irrigation

xác nhận / Certification



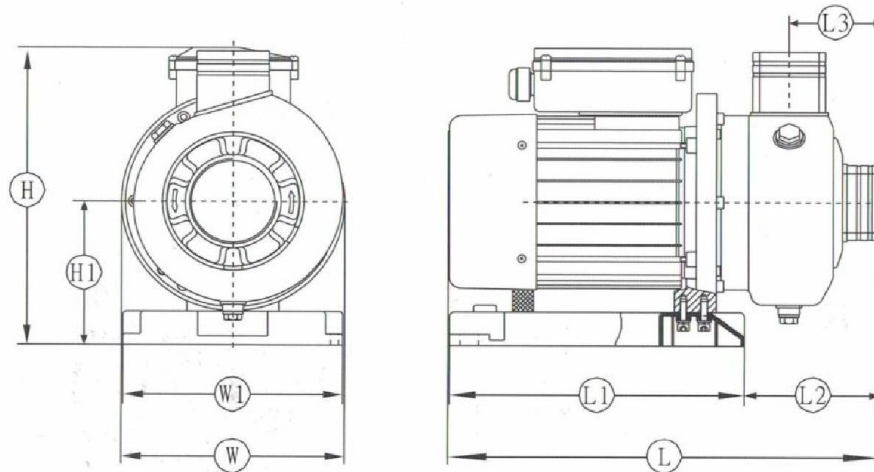
31

Đặc điểm kỹ thuật / Specification

Model No.	Output		Outlet		Pass Solid Dia(mm)	Max Flow (LPM)	LPM Flow @ Head						Max Head (M)	Weight Kg
	HP	KW	mm	inch			4M	6M	8M	10M	12M	14M		
SWO-220(T)	2	1.5	50	2"	8	570	550	500	430	330	210	210	14	20
SWO-320(T)	3	2.2	50	2"	8	660	640	610	560	490	400	270	16	23
SWO-420(T)	4	3	50	2"	8	730	710	685	650	610	560	480	20	26

Kích thước / Dimension

Model	L	L1	L2	L3	W	W1	H	H1
	mm	mm	mm	mm	mm	mm	mm	mm
SWO-220(T)	378	255	123	82	193	190	242	125
SWO-320(T)	413	255	158	82	193	190	242	125
SWO-420(T)	430	255	175	82	193	190	242	125



Sơ đồ chức năng / Schematic Function

